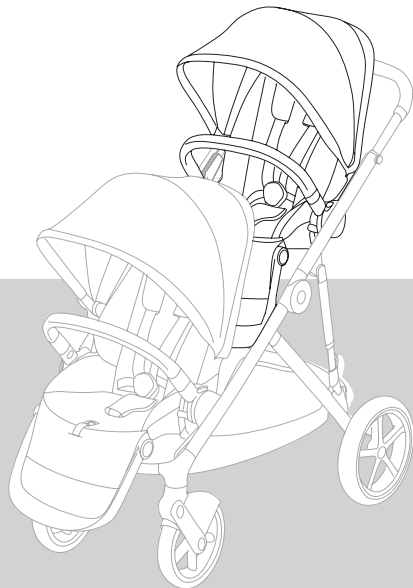




GAZELLE S SEAT UNIT





WARNING



TUTORIAL VIDEO





 = 5

Configurations



 = 7

Maximum weights



 = 8

Product registration



 = 9

Set up



 = 12

Adjusting seat adapter



 = 14

Using the DUO Stroller



 = 16

Folding



 = 21

Harness



 = 24

Bumper bar



 = 25

Seat direction



Backrest



Legrest



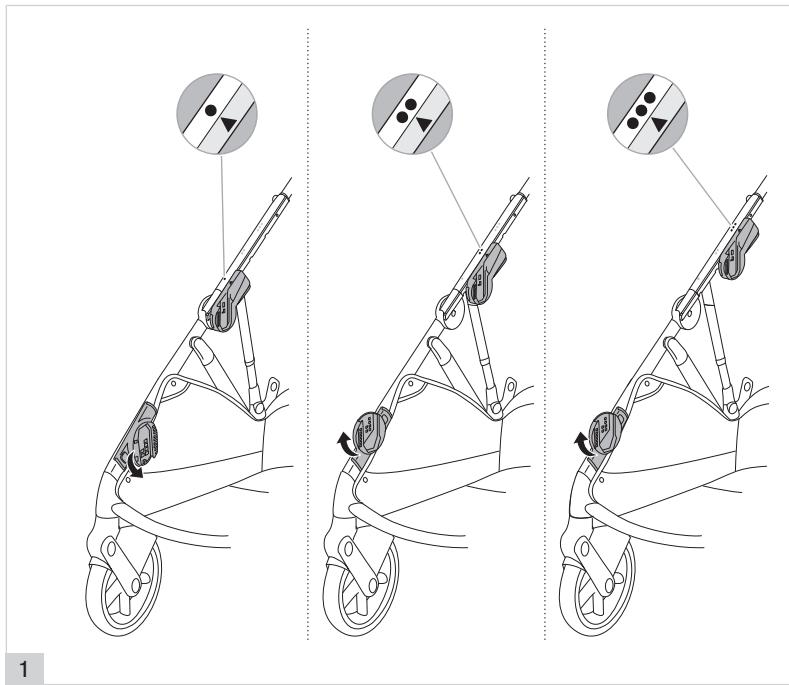
Sun canopy



Removing the fabric



Rain cover





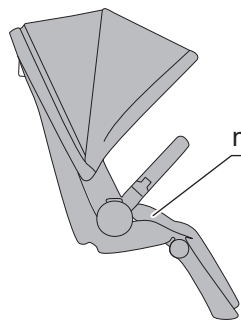
max. 15 kg



max. 22 kg

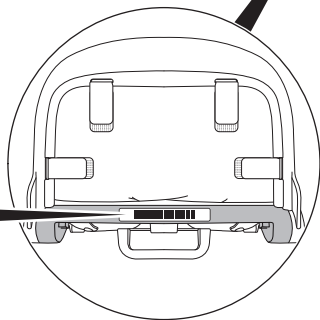
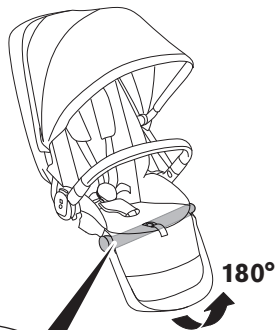


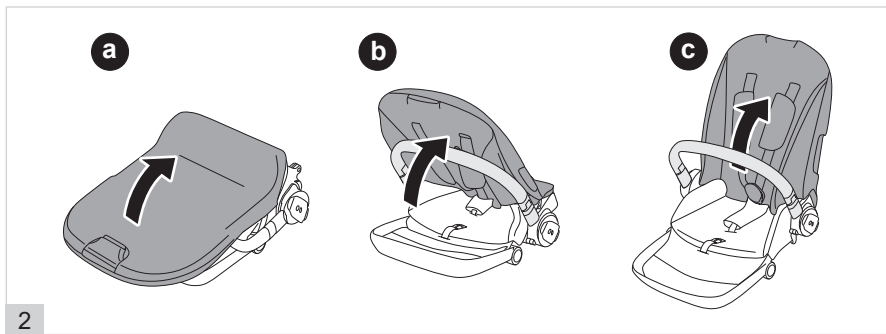
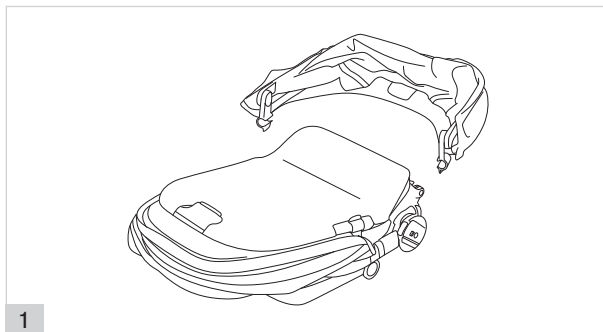
2

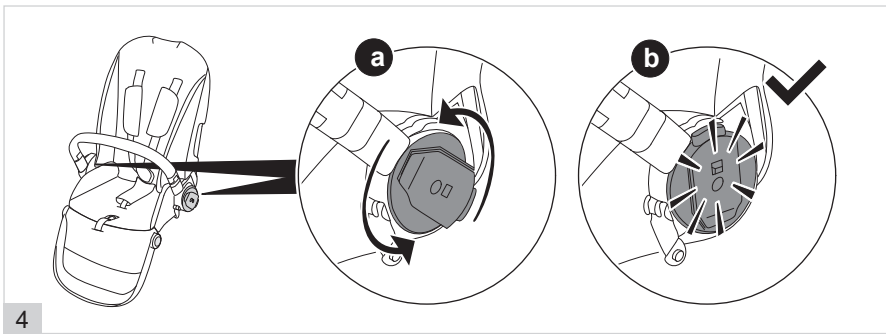
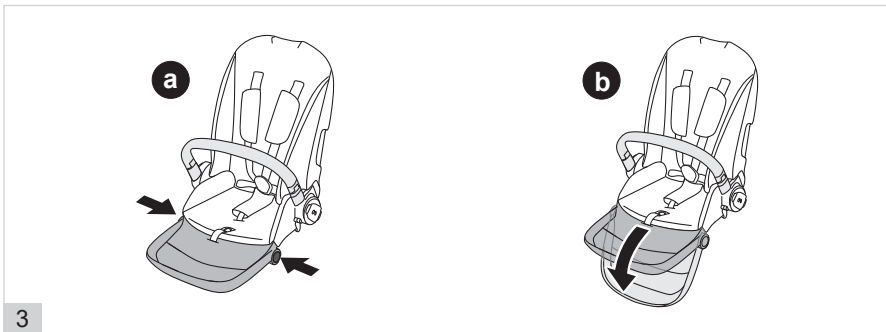


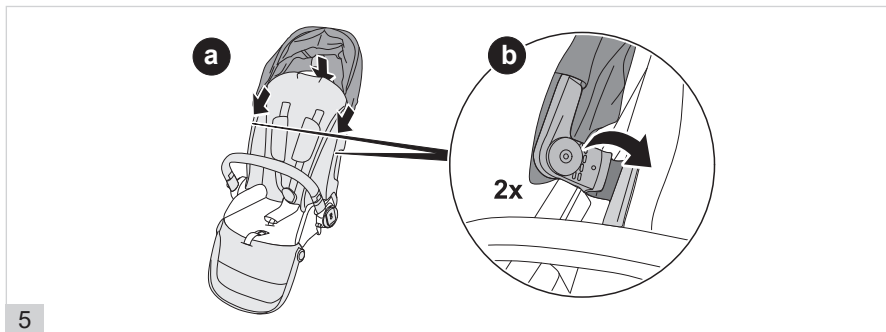
max. 22 kg

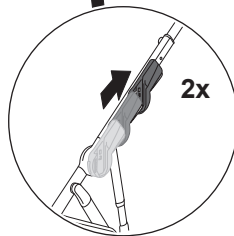
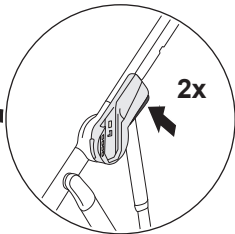
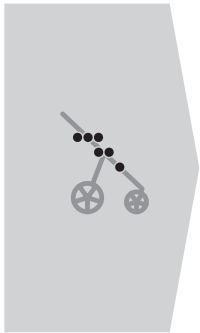


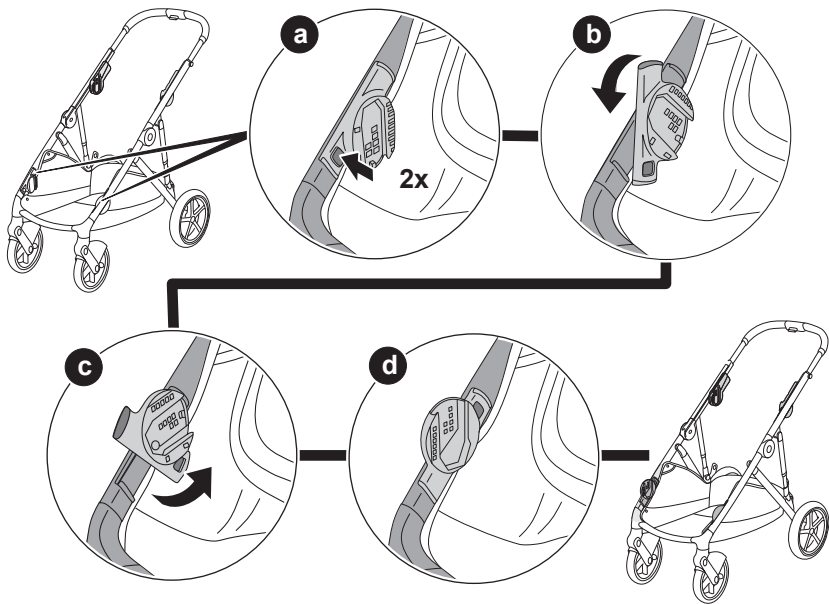


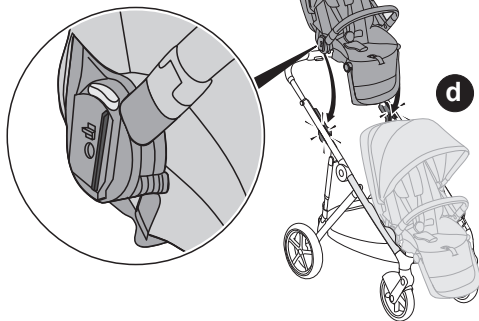
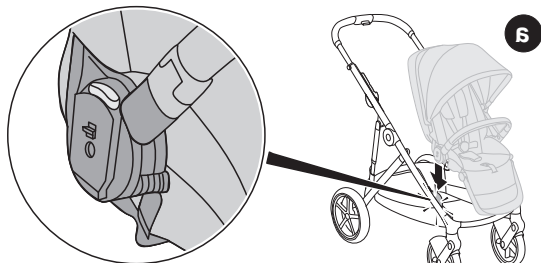


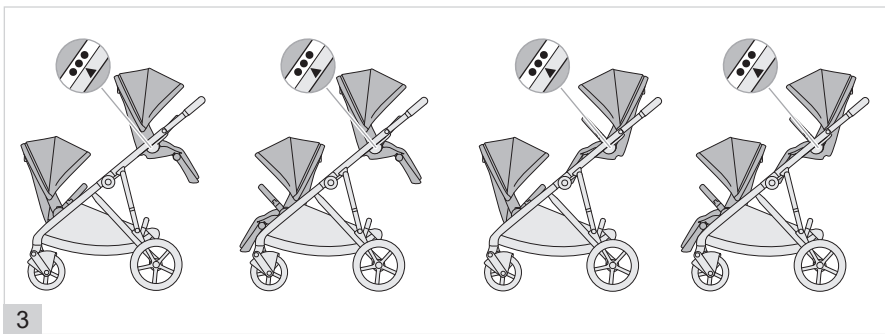
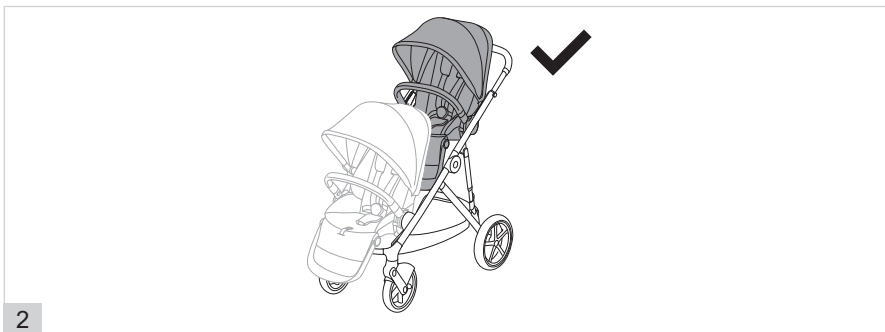


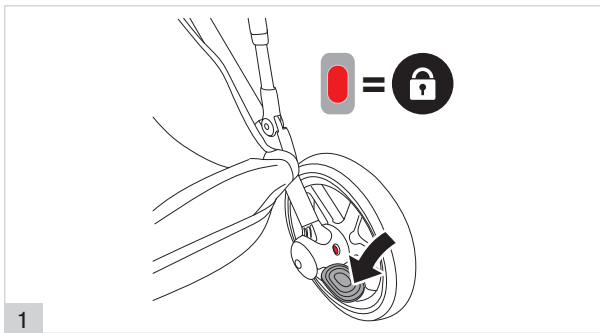
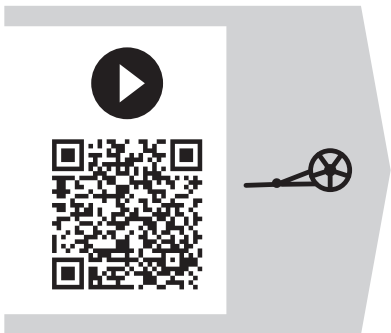






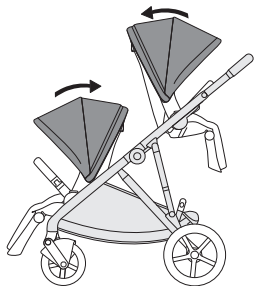




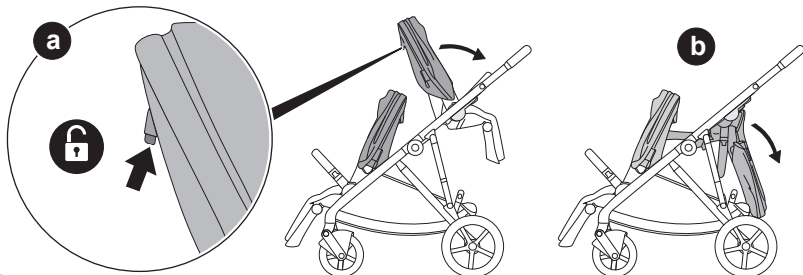


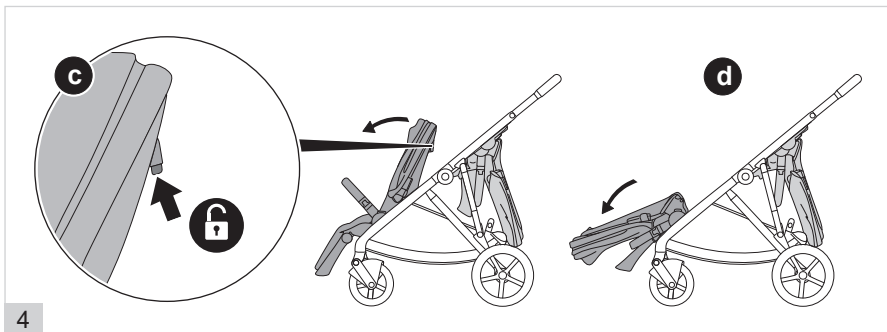


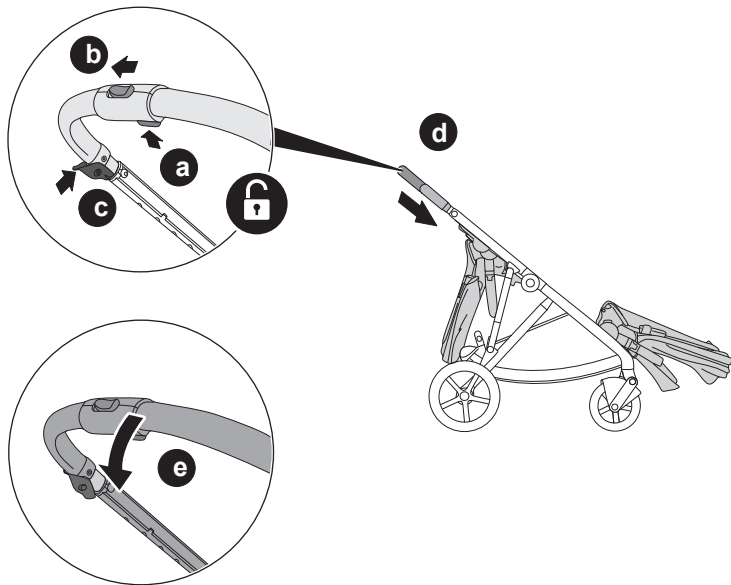
2

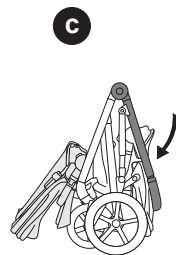
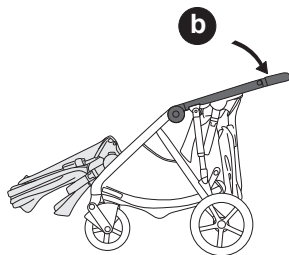
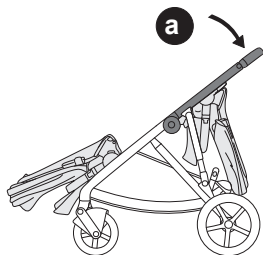


3

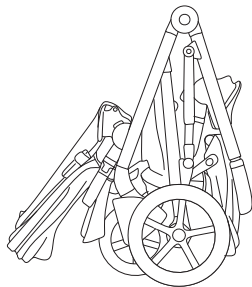




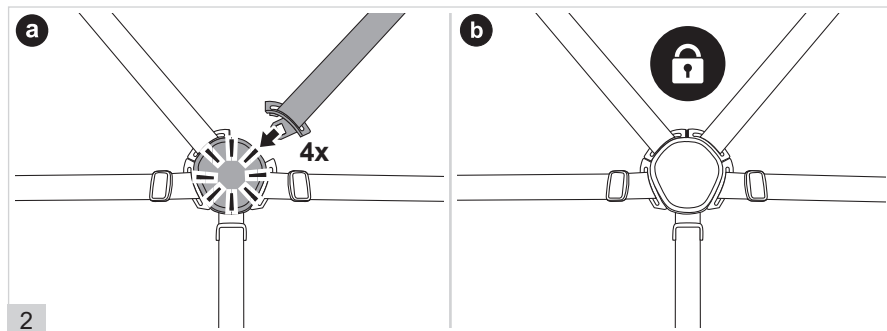
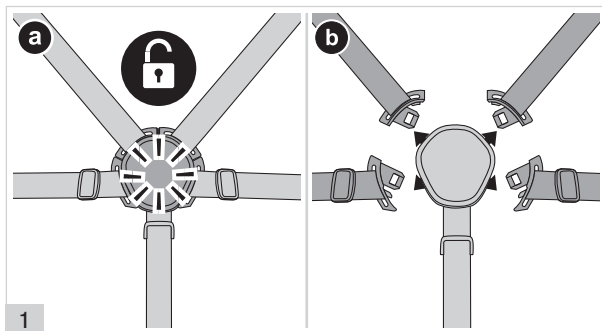


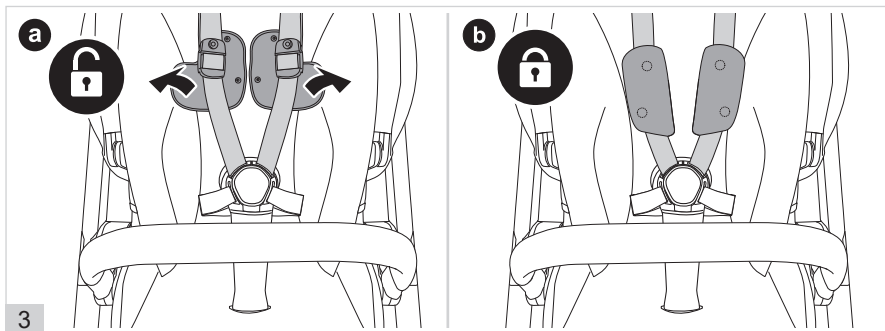


6

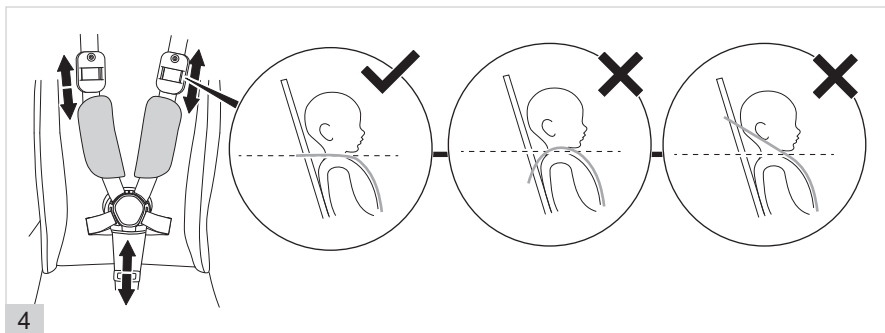


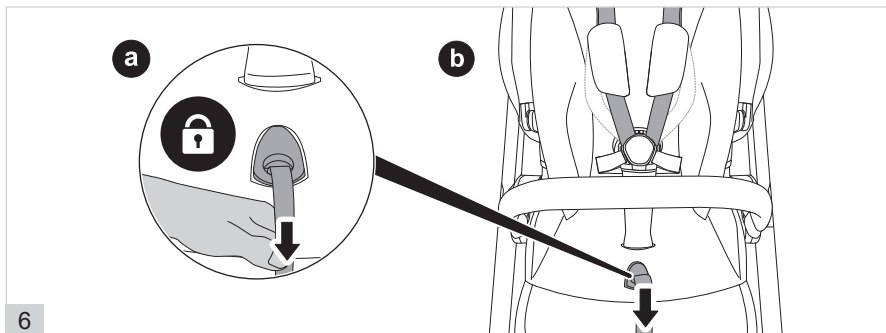
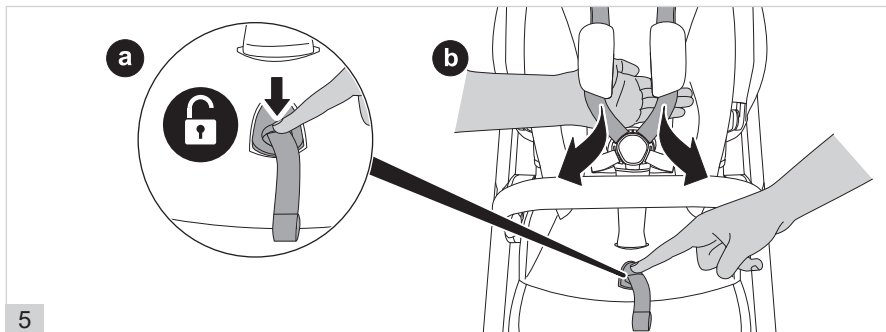
7

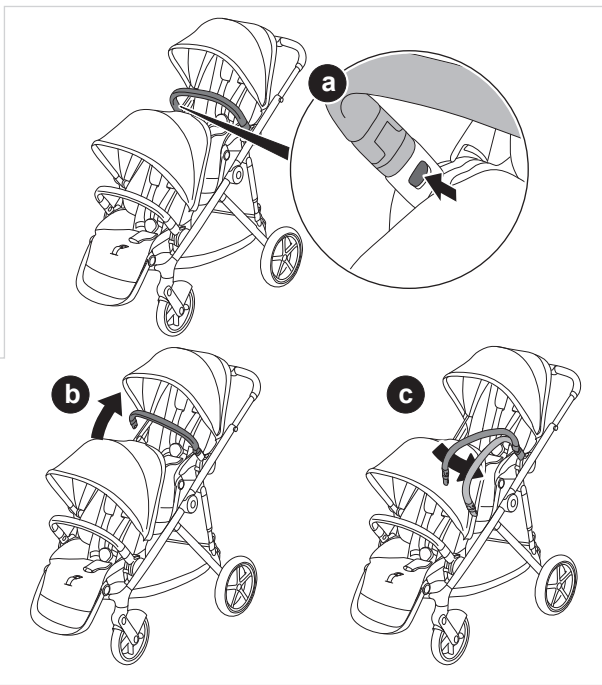




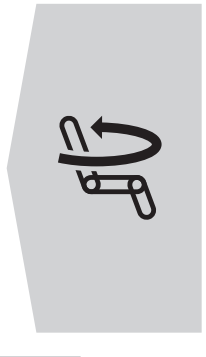
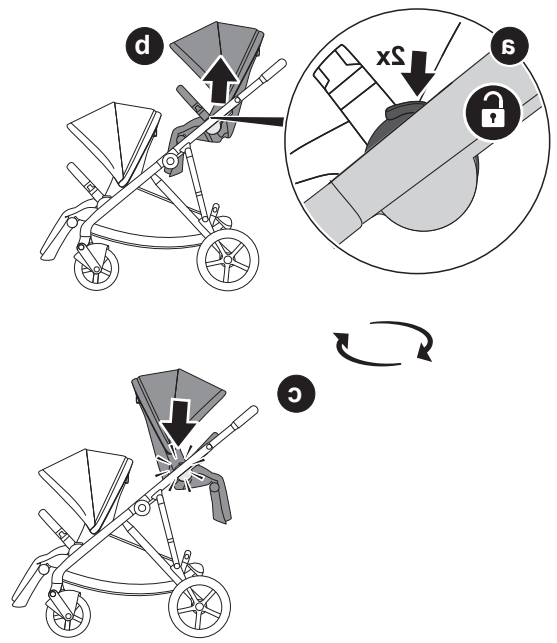
3

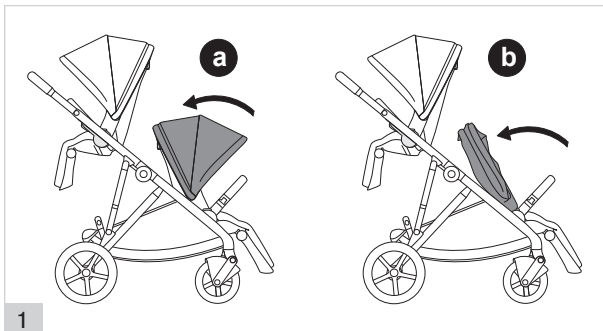




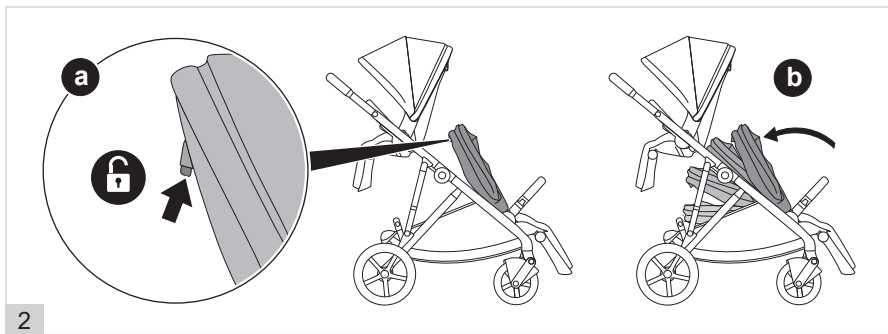


1

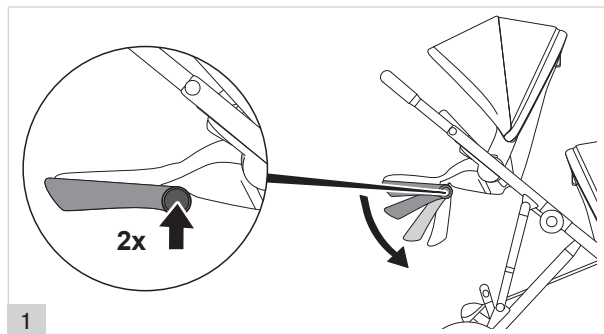
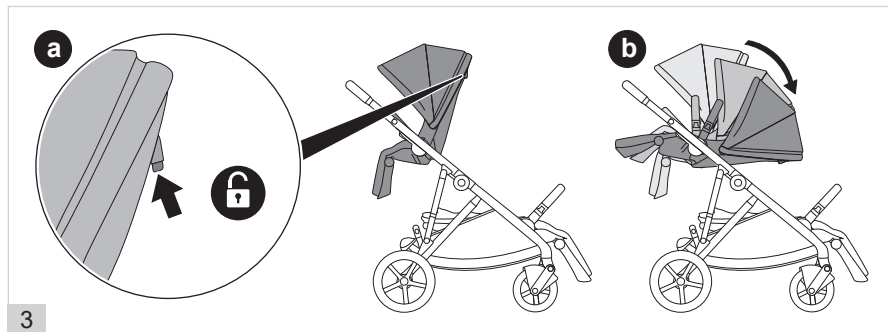


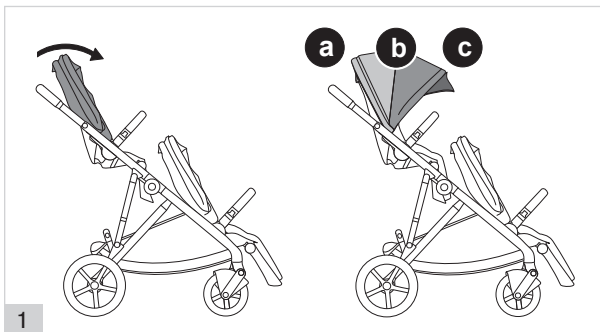


1

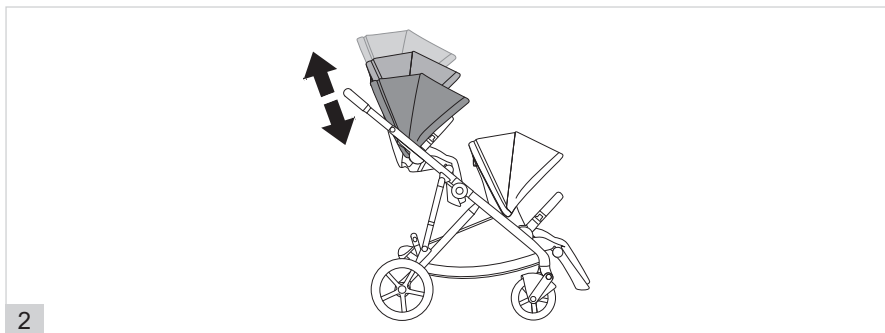


2

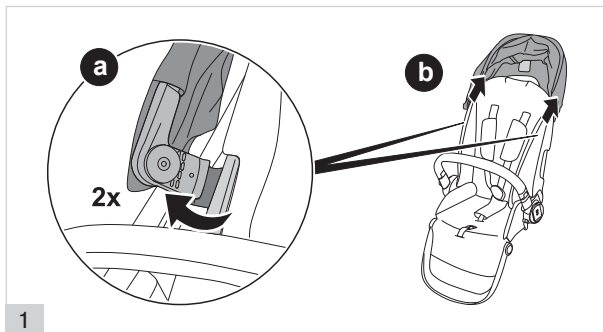


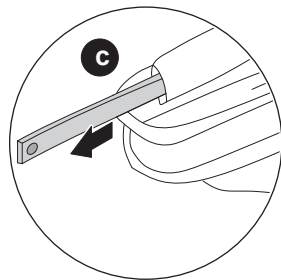
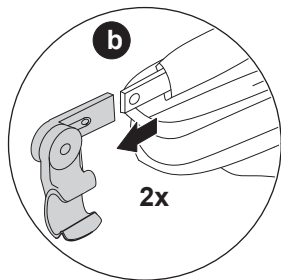
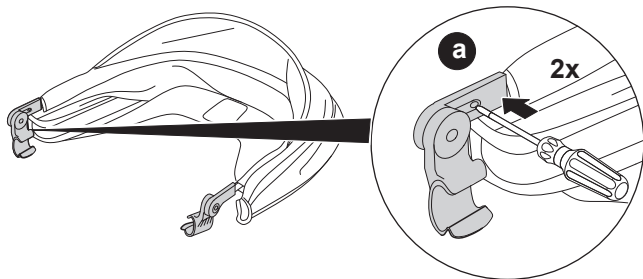


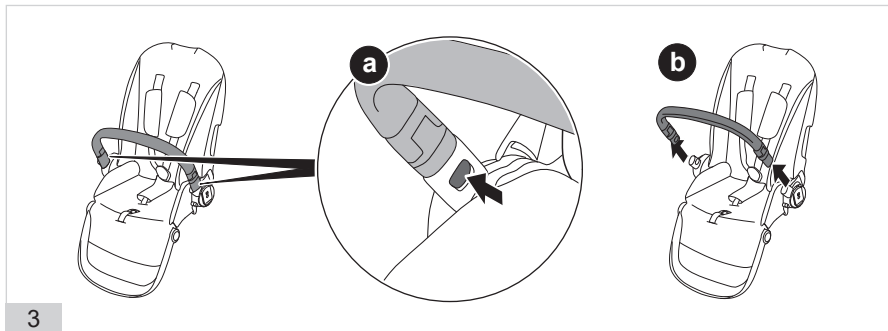
1

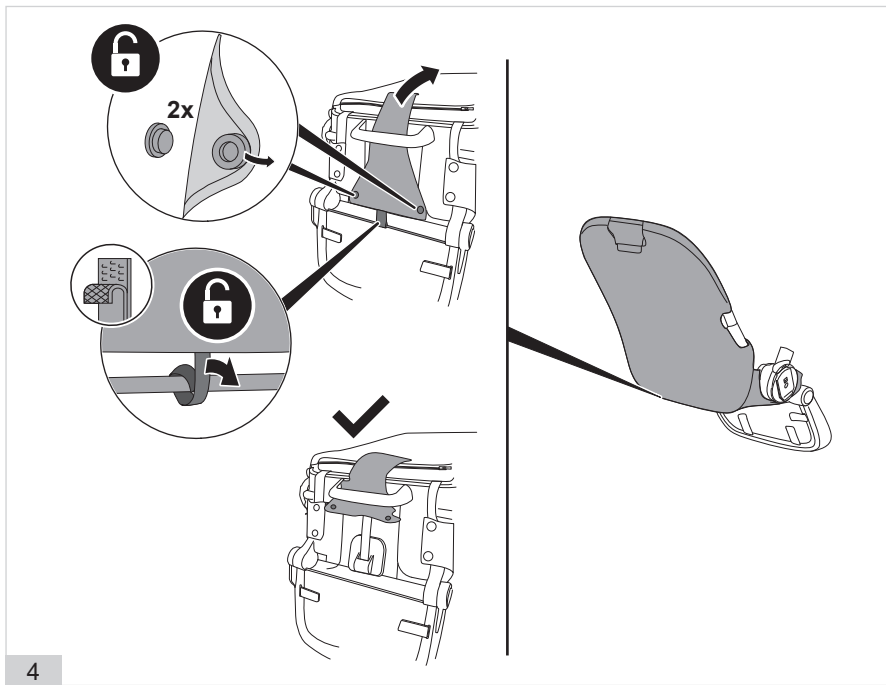


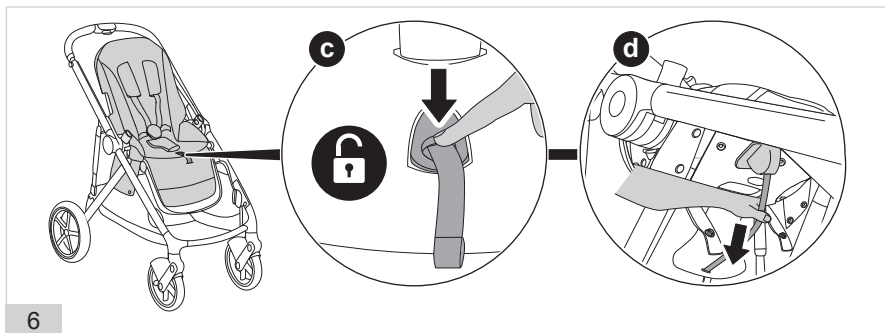
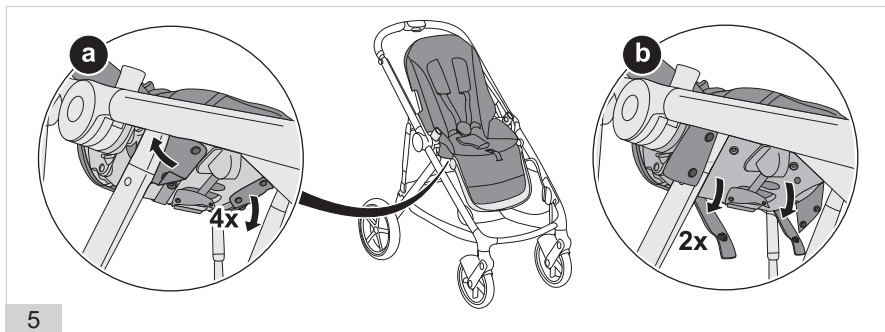
2

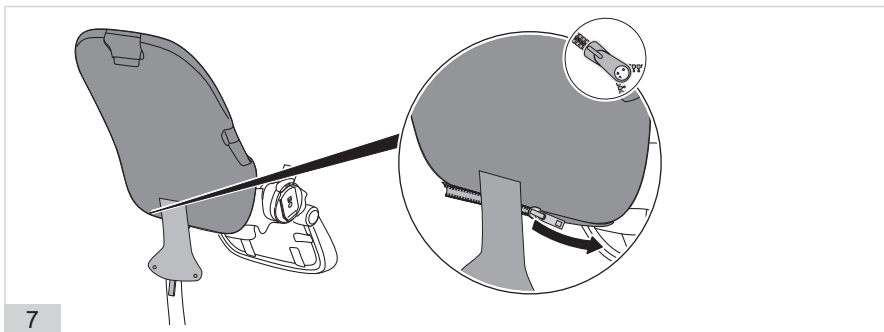


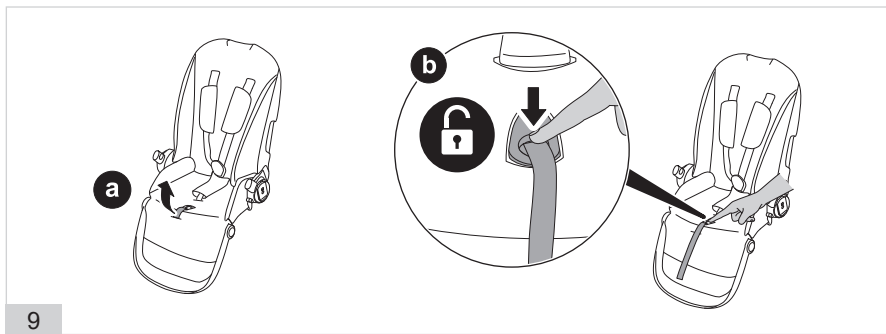
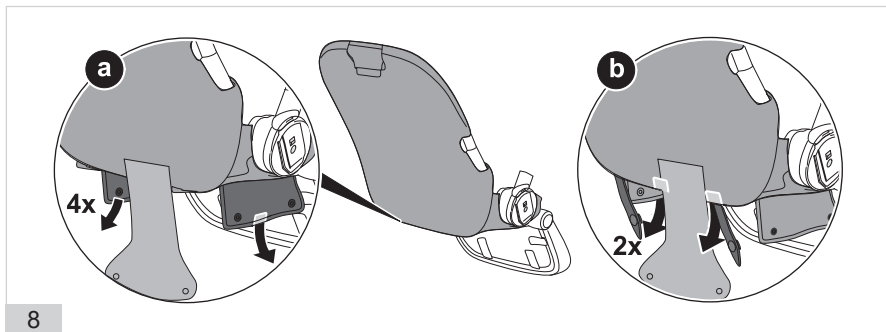


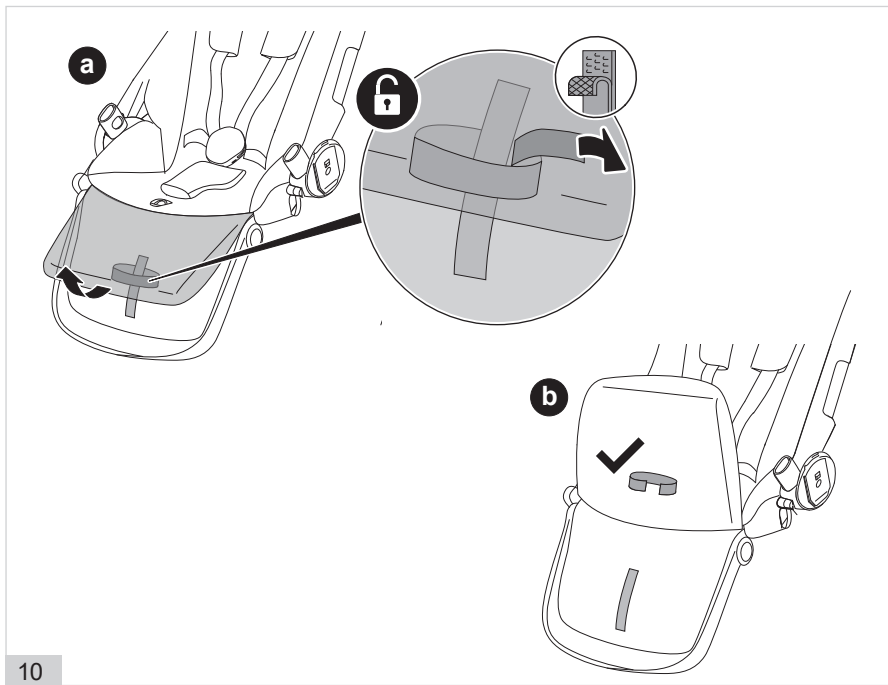


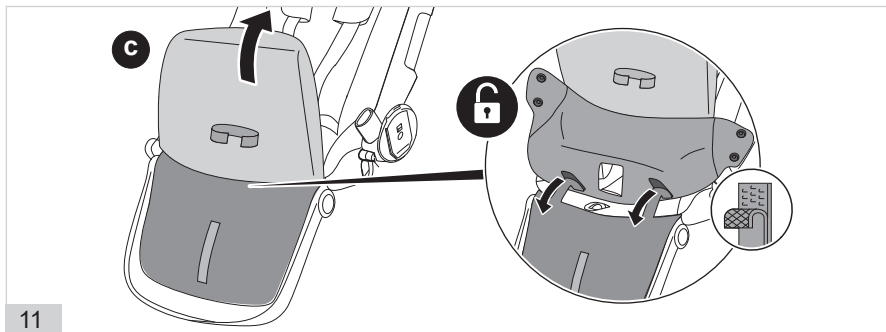


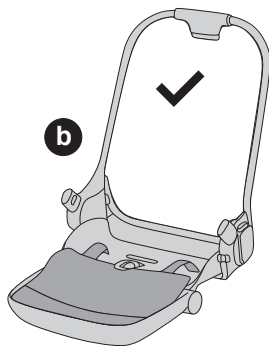
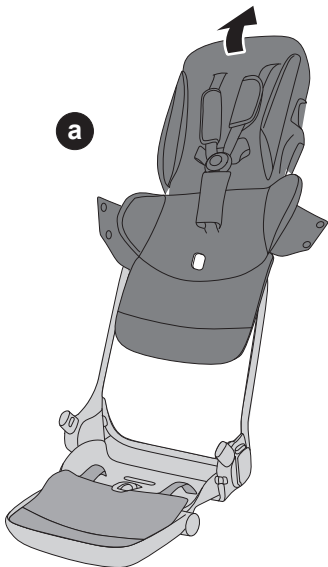


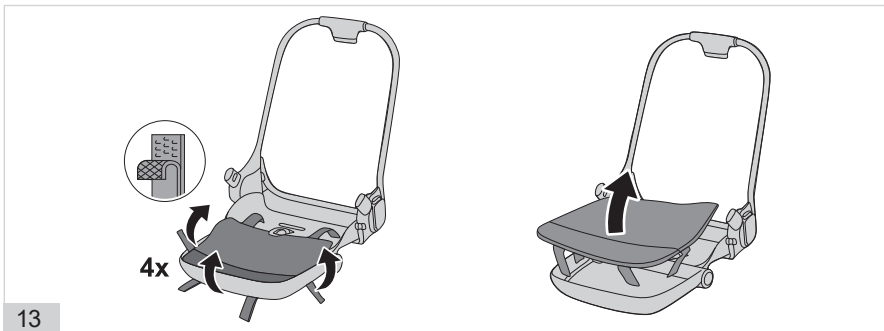


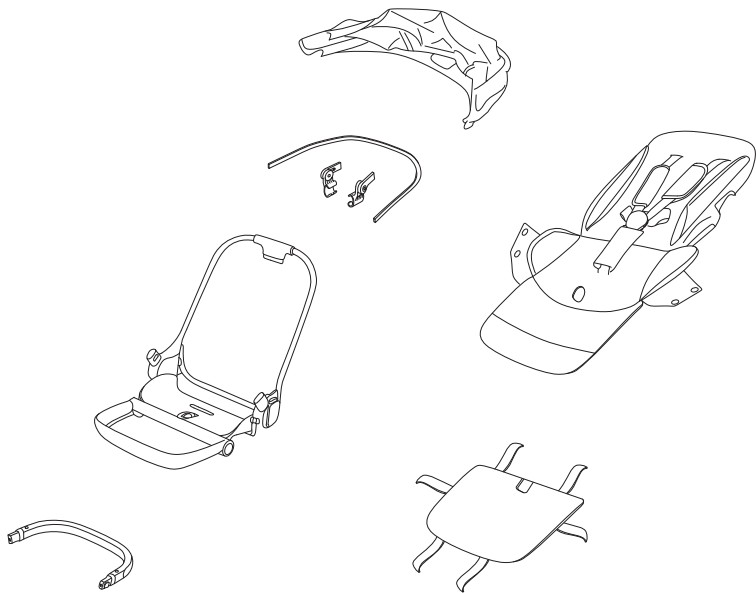


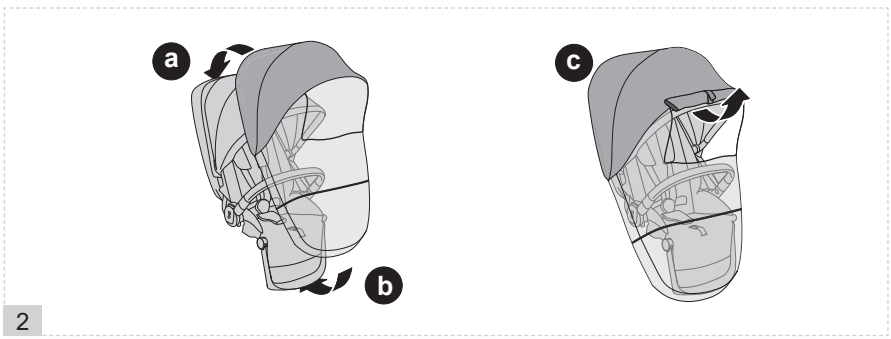






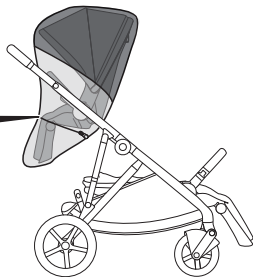




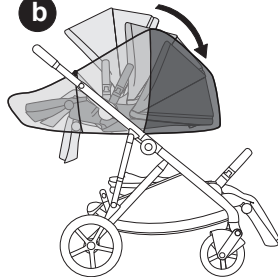




a



b



3



Distributed in Australia by:

Anstel Brands Pty Ltd, Sunline
Drive 36
3029 Truganina, Victoria
Australia
Phone: +03 8459 2750

Distributed in New Zealand by:

SignActive Limited, Level 1
2 Eden Street
1023 Auckland
New Zealand
Phone: +64 9 373 2525

