

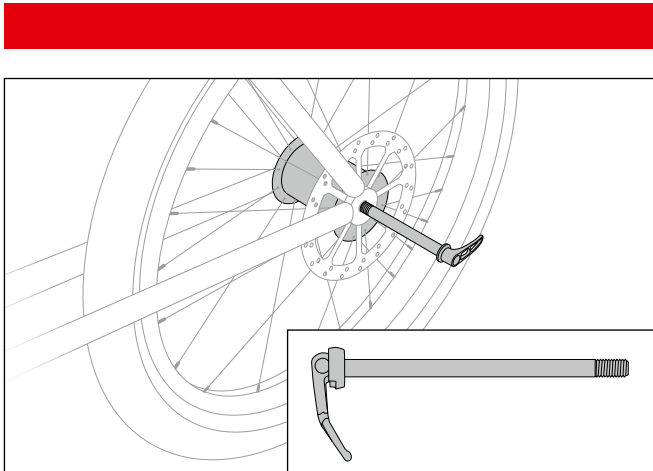
## **ATTACHING A CYBEX CYCLING HITCH**

To use the ZENO with your bike, you need to attach a CYBEX Cycling Hitch. This is included in the ZENO Cycling Kit. If you want to use a second bike with the ZENO you also have the option of purchasing another CYBEX Cycling Hitch separately.

Bicycles come in all shapes and sizes. First of all you need to find out what type of axle is on the rear wheel of your bicycle. Then you can find out how to attach the CYBEX Cycling Hitch to the axle.

We always recommend seeking expert help from a CYBEX retailer or a bicycle specialist. If you cannot find a working solution for your specific bike, please feel free to contact our customer service.

## HOW IS THE REAR WHEEL OF YOUR BICYCLE ATTACHED?

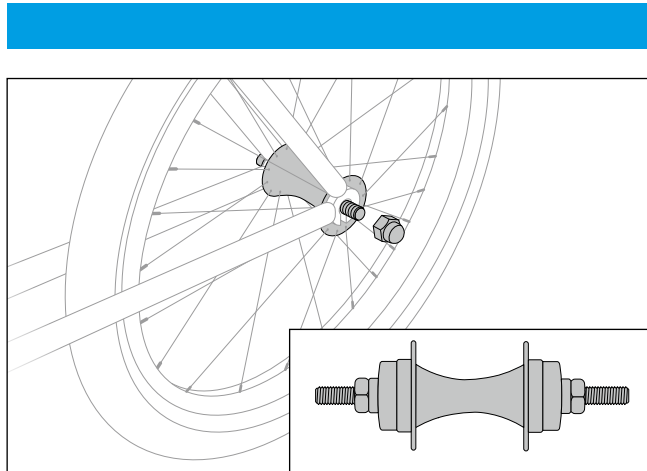


### THRU AXLE

If the rear wheel of your bicycle is attached with a thru axle then this needs to be replaced with a specific CYBEX Thru Axle to attach a CYBEX Cycling Hitch.

We offer a range of different thru axles to cover most of the varieties on the market.

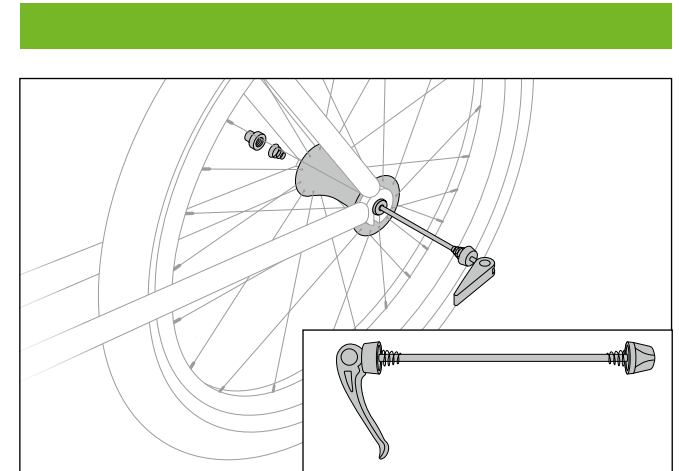
[Detailed information on page 3](#)



### SOLID AXLE

If the rear wheel of your bicycle is attached with a solid axle a CYBEX Cycling Hitch can be attached without any additional accessories in most cases.

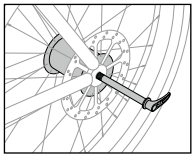
[Detailed information on page 6](#)



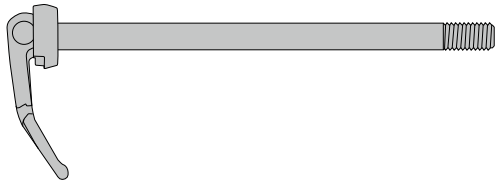
### QUICK RELEASE SKEWER

If the rear wheel of your bicycle is attached with a quick release skewer a CYBEX Cycling Hitch can be attached without any additional accessories in most cases.

[Detailed information on page 8](#)



## THRU AXLE



A rod ( $\varnothing$  12 mm) which is inserted through the hub of the wheel and directly screwed into the frame.

### ATTACHING A CYBEX CYCLING HITCH

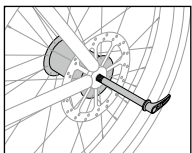
We offer different thru axles to cover most varieties on the market.

It is very important that you choose the right CYBEX Thru Axle for your bicycle. You need to know the diameter, length and thread pitch of your existing axle. If you do not know these measurements and they are not specified on your bike's thru axle, please follow the guide below:

1. [Download the template](#) for measuring your existing thru axle.
2. Print out the template in actual size (100%) on A4 paper.
3. Hold your bike's thru axle against the first template to determine the thread pitch.
4. Hold the thru axle against the second template to measure its length and diameter.
5. Choose the CYBEX Thru Axle which matches the measurements of your bike's thru axle.

### WHAT IF I STILL HAVEN'T FOUND A SOLUTION FOR MY BIKE?

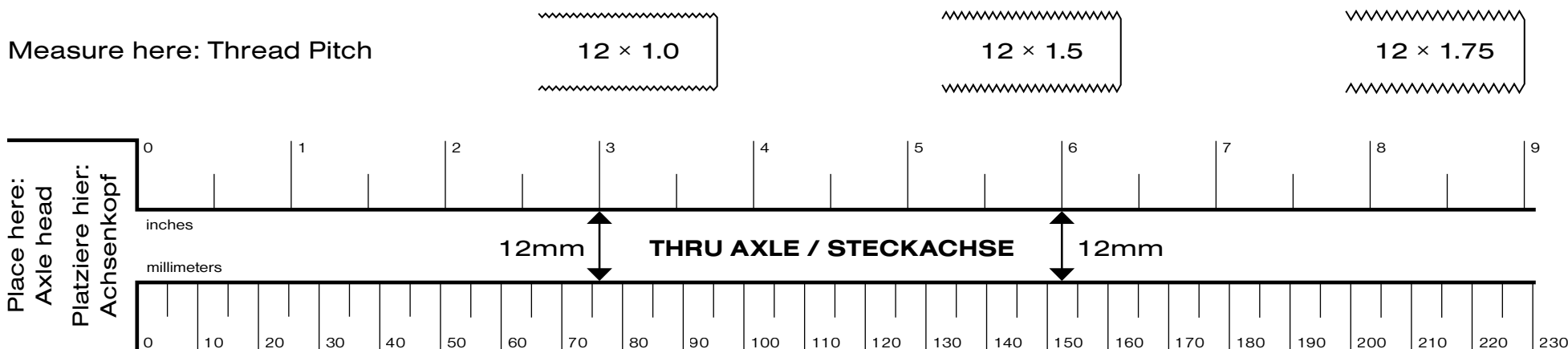
The CYBEX Cycling Hitch fits to almost any bicycle. However, if none of our solutions fit to your bike, please get in contact with us!



# THRU AXLE

## IDENTIFY THE CORRECT THRU AXLE SIZE

Place your bike's axle on the two scales. Measure the thread pitch and the axle length.



### Thru Axle 154 – 172 mm (M12 x 1.0)

Catalogue Number:  
521002011

Diameter: 12 mm  
Length: 154 – 172 mm  
Thread pitch: 1.0 mm

[Click to order](#)

### Thru Axle 169 – 184 mm (M12 x 1.0)

Catalogue Number:  
521002035

Diameter: 12 mm  
Length: 169 – 184 mm  
Thread pitch: 1.0 mm

[Click to order](#)

### Thru Axle 166 – 178 mm (M12 x 1.5)

Catalogue Number:  
521002019

Diameter: 12 mm  
Length: 166 – 178 mm  
Thread pitch: 1.5 mm

[Click to order](#)

### Thru Axle 168 – 180 mm (M12x1.75)

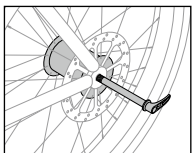
Catalogue Number:  
521002027

Diameter: 12 mm  
Length: 168 – 180 mm  
Thread pitch: 1.75 mm

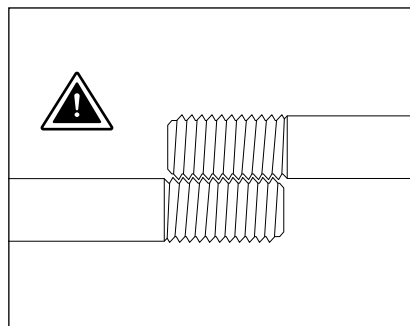
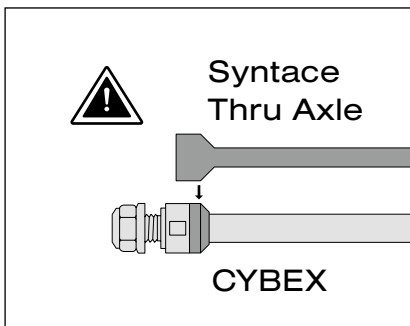
[Click to order](#)

## WHAT IF I STILL HAVEN'T FOUND A SOLUTION FOR MY BIKE?

The CYBEX Cycling Hitch fits to almost any bicycle. However, if none of our solutions fit to your bike, please get in contact with us!

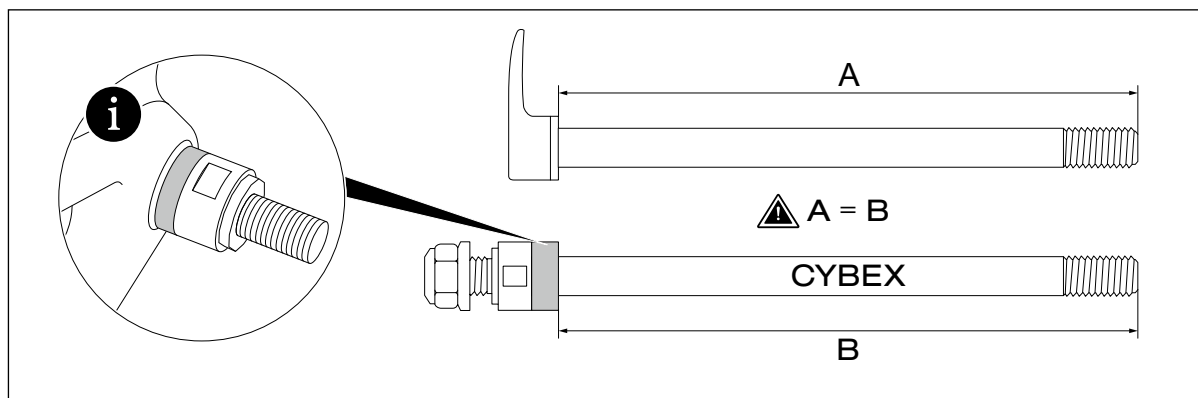


## THRU AXLE



We offer different thru axles to cover most varieties on the market.

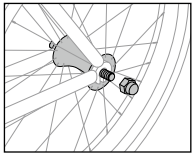
Verify that the threads of the new CYBEX Thru Axle match the threads of the axle removed from the rear wheel. If the threads do not match, the purchased CYBEX Thru Axle is **NOT COMPATIBLE** with your bike.



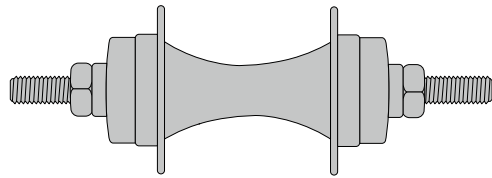
Ensure that the axle shaft length of your old thru axle (A) matches the axle shaft length of your CYBEX Thru Axle (B). If they are not the same length, add the appropriate spacer to the CYBEX Thru Axle so that A=B.

### WHAT IF I STILL HAVEN'T FOUND A SOLUTION FOR MY BIKE?

The CYBEX Cycling Hitch fits to almost any bicycle. However, if none of our solutions fit to your bike, please get in contact with us!



## SOLID AXLE

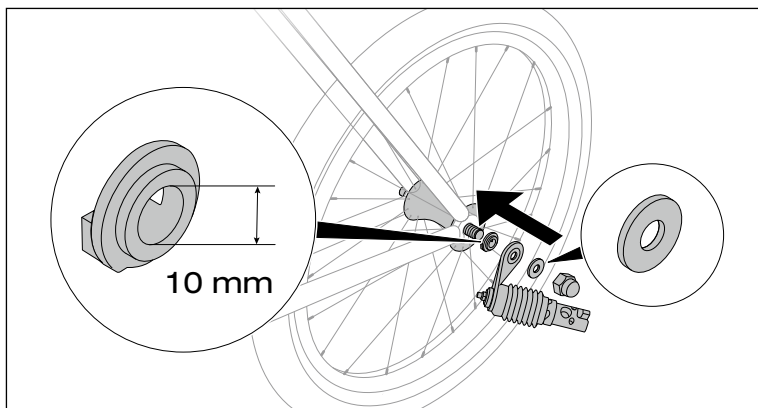


Rod ( $\varnothing$  9 mm) that is threaded and secured to your bicycle by two nuts.

## ATTACHING A CYBEX CYCLING HITCH

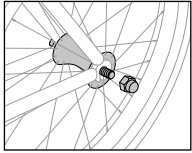
If the rear wheel of your bicycle is attached with a solid axle, in most cases the CYBEX Cycling Hitch will fit without any additional accessories.

To attach the CYBEX Cycling Hitch to a bike with a solid axle, you will need to attach a polygon spacer with a hole diameter of 10 mm (included with the ZENO Cycling Kit/CYBEX Cycling Hitch).



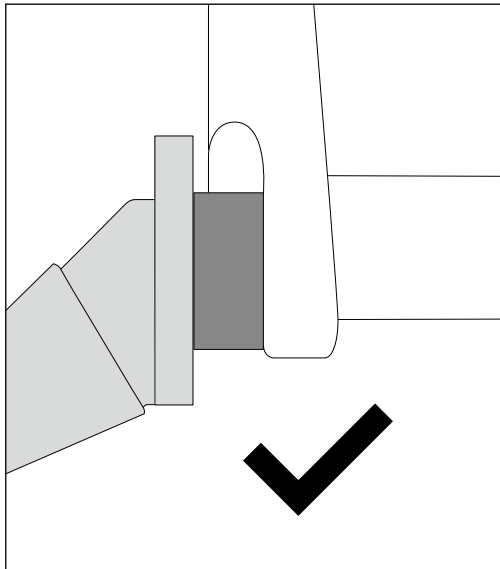
## WHAT IF I STILL HAVEN'T FOUND A SOLUTION FOR MY BIKE?

The CYBEX Cycling Hitch fits to almost any bicycle. However, if none of our solutions fit to your bike, please get in contact with us!

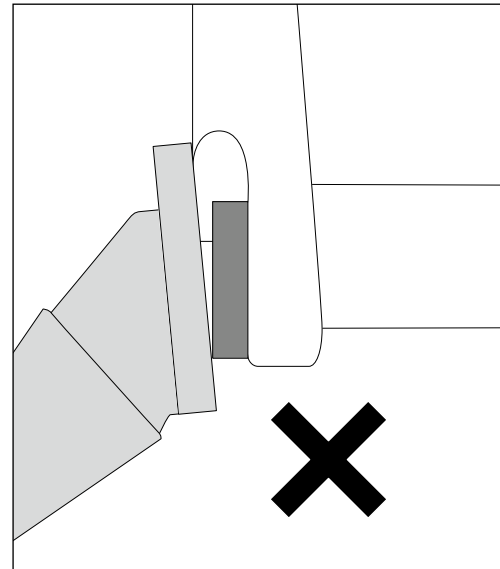


## SOLID AXLE

Always attach the CYBEX Cycling Hitch with an appropriately sized spacer. The CYBEX Cycling Hitch must not make contact with the bicycle frame.



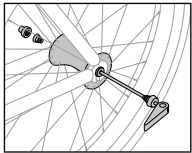
Spacer is the correct size



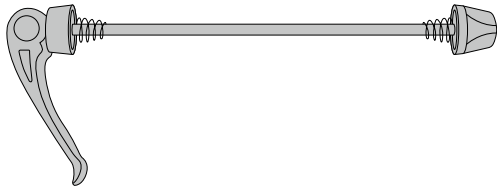
Spacer is too small

### WHAT IF I STILL HAVEN'T FOUND A SOLUTION FOR MY BIKE?

The CYBEX Cycling Hitch fits to almost any bicycle. However, if none of our solutions fit to your bike, please get in contact with us!



## QUICK RELEASE SKEWER

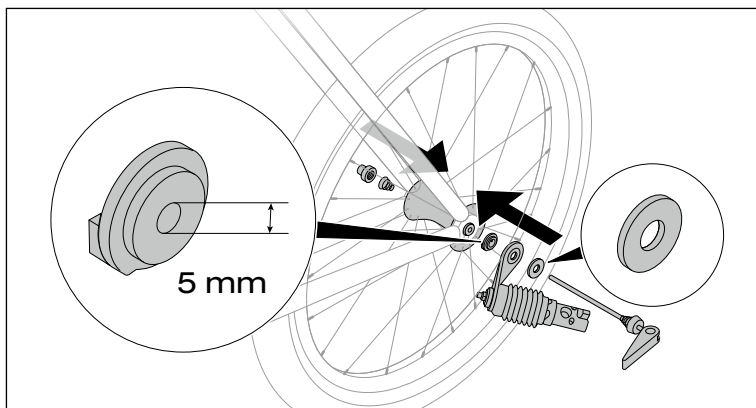


A rod ( $\varnothing$  5 mm) which is inserted through the hub of the wheel and clamped to the frame with a nut and a lever.

## ATTACHING A CYBEX CYCLING HITCH

If the rear wheel of your bicycle is attached with a quick release skewer, in most cases the CYBEX Cycling Hitch can be attached without any additional accessories required.

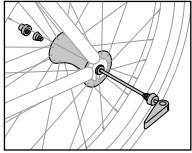
To attach the CYBEX Cycling Hitch to a bike with a quick release skewer, you will need to attach a polygon spacer with a hole diameter of 5 mm (two different spacer widths included with the ZENO Cycling Kit/CYBEX Cycling Hitch).



## WHAT IF I STILL HAVEN'T FOUND A SOLUTION FOR MY BIKE?

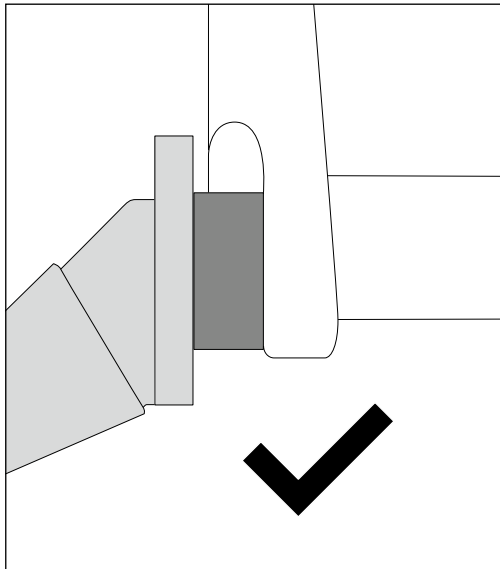
The CYBEX Cycling Hitch fits to almost any bicycle. However, if none of our solutions fit to your bike, please get in contact with us!



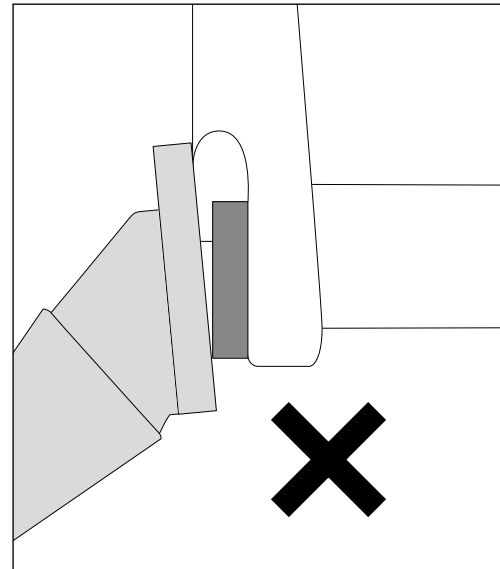


## QUICK RELEASE SKEWER

Always attach the CYBEX Cycling Hitch with an appropriately sized spacer. The CYBEX Cycling Hitch must not make contact with the bicycle frame.



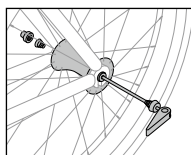
Spacer is the correct size



Spacer is too small

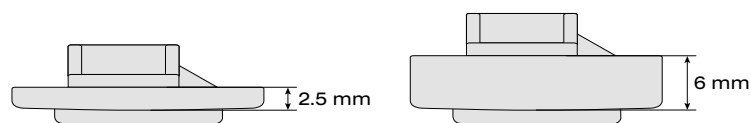
### WHAT IF I STILL HAVEN'T FOUND A SOLUTION FOR MY BIKE?

The CYBEX Cycling Hitch fits to almost any bicycle. However, if none of our solutions fit to your bike, please get in contact with us!

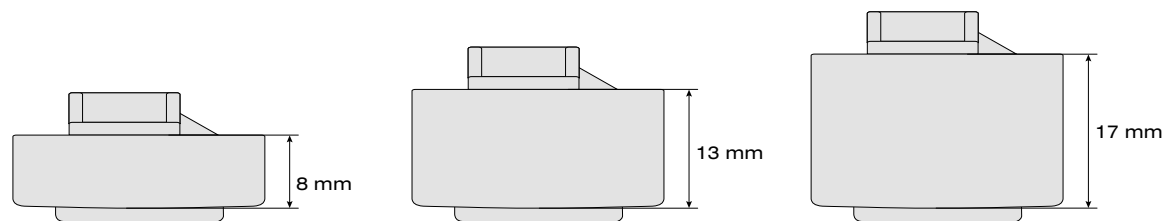


## QUICK RELEASE SKEWER

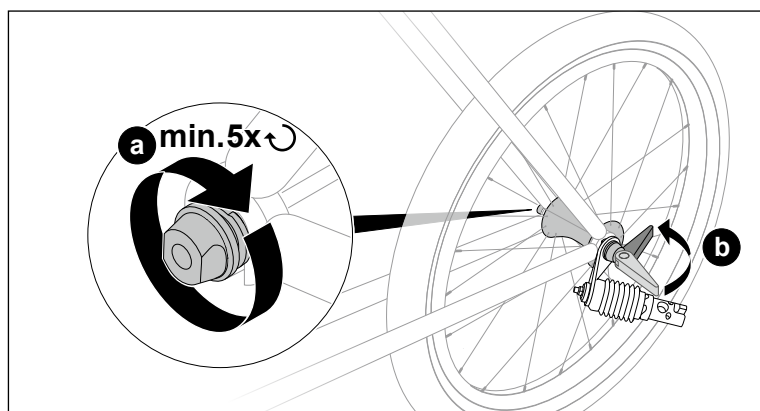
On some bicycle frames the rear dropout has a protruding hood. Wider spacers may be necessary to prevent the CYBEX Cycling Hitch coming into contact with this hood. If the spacers included with the ZENO Cycling Kit/CYBEX Cycling Hitch are not wide enough, we offer a variety of additional sizes:



Included in Cycling Kit, Cycling Hitch



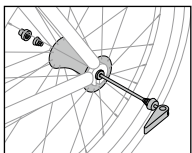
Sold separately



Some quick release skewers are too short to safely use with the CYBEX Cycling Hitch, especially if you have to use a wide spacer. Before closing the quick release lever, it's very important that you're able to tighten the nut on the rear axle by at least five full turns to ensure adequate clamping force. If this is not possible, please purchase a longer quick release skewer at any bicycle store.

### WHAT IF I STILL HAVEN'T FOUND A SOLUTION FOR MY BIKE?

The CYBEX Cycling Hitch fits to almost any bicycle. However, if none of our solutions fit to your bike, please get in contact with us!



## QUICK RELEASE SKEWER

Catalogue Number	Product	Size (thickness)	Online shop
521901567	Spacer for quick release skewer	2.5 mm	<a href="#">Click to order</a>
521901566	Spacer for quick release skewer	6 mm	<a href="#">Click to order</a>
521901565	Spacer for quick release skewer	8 mm	<a href="#">Click to order</a>
521901564	Spacer for quick release skewer	13 mm	<a href="#">Click to order</a>
521901563	Spacer for quick release skewer	17 mm	<a href="#">Click to order</a>

### WHAT IF I STILL HAVEN'T FOUND A SOLUTION FOR MY BIKE?

The CYBEX Cycling Hitch fits to almost any bicycle. However, if none of our solutions fit to your bike, please get in contact with us!